

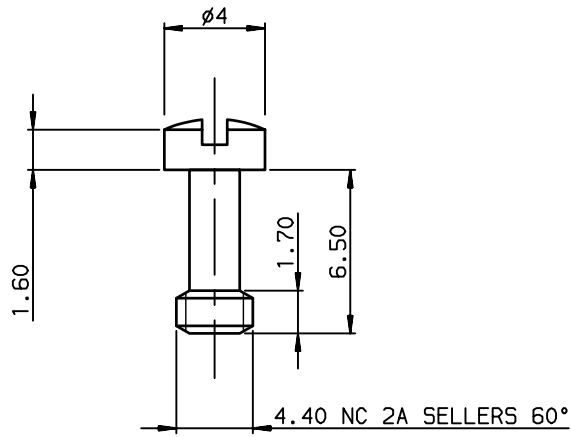
1 2 3 4

A

B

C

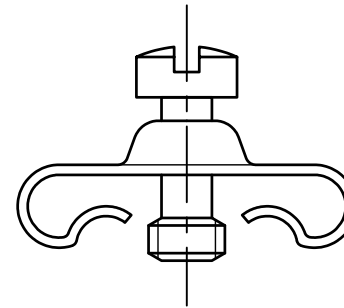
D



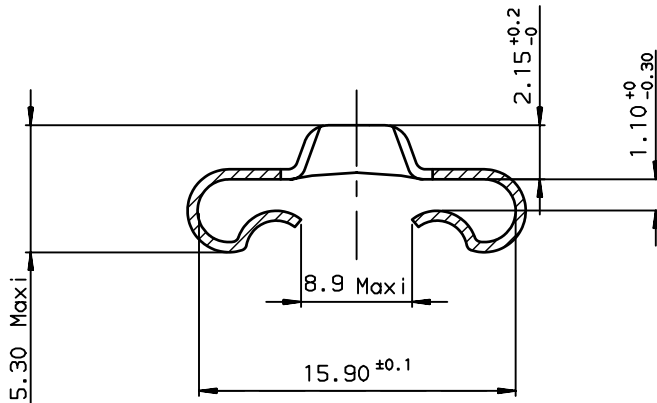
NOTES

- Pieces assembly
- Packaging : per 100 piece
- Material : steel
- Thread : UNC 4.40

VUE ASSEMBLY



Part number 863003ALF



NOTE1:RoHS INFORMATIONS

- The "LF" product meets European union Directives and other country regulations as described in GS-22-008.
- The product is not intended to be exposed to a manufacturing solder process.
- Plating: Zinc Cr3+, white color.
- Packaging spec: see GS-14-920.

European Views

rev	ecn no	dr	date
A	LS05-0123	L60	2006/01/12
B	LS06-0095	L60	2006/06/24
-	-	-	-
-	-	-	-
-	-	-	-
-	-	-	-

www.fciconnect.com		surface ISO 1302 ✓	tolerance std ISO 406 ISO 1101	projection 1st angle	mm
TOLERANCES UNLESS OTHERWISE SPECIFIED					
Dr	GOISNARD	2006/01/12	ANGULAR	size A3	Scale 5
Eng	PESSON	2006/01/12	LINEAR	ECN	LS06-0095
Chr	LEGARE	2006/01/12	0.xx' ±2'	Product family	D-SUB
Appr	LEGARE	2006/01/12	0.xxx ±0.1	Spec ref	-
title ETRIER DE FIXATION POUR BOITIER			dwg no C01-8655-1646		Rev. B
catalog no			CUSTOMER sheet 1 of 1		

1 2 3 4